

Direct-operated poppet valve
Port size 1/4" NPT (optional G1/4)
Brass Body
Operating pressures up to 508 psi (see technical data)



Technical specifications

Medium:

Neutral gases and liquid fluids
 (For contaminated fluids, an upstream dirt trap is recommended)

Mounting Position:

Arbitrary, preferably upright

Fluid / Ambient Temperature*:

-13°F to 176°F (-25°C to 80°C),
 (depending on solenoid coil)

* Air supply must be dry enough to avoid ice formation.

Material:

Housing: Brass
 Seal: NBR (optional materials available)

Internal parts: Stainless Steel
 1.4104 (AISI 430F) and Brass

Features

- No differential pressure required, works from 0 psi up
- Integral rectifier on AC solenoids
- Fast switching times
- Optional North American and ATEX hazardous location coils
- Optional seal materials FKM, EPDM, PTFE

Technical data

Switching function: 2/2 Normally closed

Symbol	Port size	Orifice (mm)	Operating pressure PSI		Flow (Cv)	Weight without Solenoid (lb)	Dimension No.	Coil group	Valve model code
			min.	max.					
	1/4 NPT	2	0	508	.12	0.46	1	13B	9503200*
	1/4 NPT	3	0	145	.20	0.46	1	13C	9503300*
	1/4 NPT	4	0	174	.35	0.46	1	13D	9503400*
	1/4 NPT	6	0	73	.55	0.55	2	16D	9504600*



*1) Order example: To order a series 95000 valve, 2mm orifice, with a 24 Vdc, IP65, DIN Form A coil, Model Number: 9503200024602400.

Valve model code: 9503200 + Coil code: 024602400 = Model Number: 9503200024602400.



To order the valve only, replace the * after the Valve model code from the table with 9 zero's, i.e. 95032000000000000.

Valve function: APB = All Ports Blocked



Coil group 13B

	Power consumption 24 VDC W	120 VAC VA	Protection class	Temperature Ambient/fluid	Electrical connector size	Weight (lb)	Dimensions no.	Circuit diagram no.	Order separate	Coil code
	8.0	-	IP 65 (with connector)	-13°F to 140°F fluid: max. 176°F	DIN Form A*	.35	1	1	000000024602400	024602400
	-	9.2	IP 65 (with connector)	-13°F to 140°F fluid: max. 176°F	DIN Form A*	.35	2	6	0000000320612060	0320612060
	5.5	-	XP/DIP, Div. 1 & 2 Cl. I, Gr. A-D Cl. II/III, Gr. E-G T3 (160°C) NEMA 4, 4X, 6, 6P, 7, 9	-4°F to 140°F	Flying leads 18"	1.10	8	1	0000000372202400	0372202400
	-	5.9	XP/DIP, Div. 1 & 2 Cl. I, Gr. A-D Cl. II/III, Gr. E-G T3 (160°C) NEMA 4, 4X, 6, 6P, 7, 9	-4°F to 140°F	Flying leads 18"	1.10	8	5	0000000372312060	0372312060

Solenoid actuators group 13C



	Power consumption 24 VDC W	120 VAC VA	Protection class	Temperature Ambient/fluid	Electrical connector size	Weight (lb)	Dimensions no.	Circuit diagram no.	Order separately	Coil code
	12.1	-	IP 65 (with connector)	-13°F to 140°F fluid: max. 176°F	DIN Form A*	.35	1	1	000000020002400	020002400
	-	11.3	IP 65 (with connector)	-13°F to 140°F fluid: max. 176°F	DIN Form A*	.35	2	6	0000000320412060	320412060
	8.9	-	XP/DIP, Div. 1 & 2 Cl. I, Gr. A-D Cl. II/III, Gr. E-G T3 (160°C) NEMA 4, 4X, 6, 6P, 7, 9	-4°F to 140°F	Flying leads 18"	1.10	8	1	0000000372402400	372402400
	-	9.5	XP/DIP, Div. 1 & 2 Cl. I, Gr. A-D Cl. II/III, Gr. E-G T3 (160°C) NEMA 4, 4X, 6, 6P, 7, 9	-4°F to 140°F	Flying leads 18"	1.10	8	5	0000000372512060	372512060

Solenoid actuators group 13D

	Power consumption 24 VDC W	120 VAC VA	Protection class	Temperature Ambient/fluid	Electrical connector size	Weight (lb)	Dimensions no.	Circuit diagram no.	Order separately	Coil code
	16.9	-	IP 65 (with connector)*	-13°F to 140°F fluid: max. 176°F	DIN Form A*	.65	3	1	000000070002400	070002400
	-	17.3	IP 65 (with connector)*	-13°F to 140°F fluid: max. 176°F	DIN Form A*	.80	4	6	0000000370312060	370312060
	13.6	-	XP/DIP, Div. 1 & 2 Cl. I, Gr. A-D Cl. II/III, Gr. E-G T3 (160°C) NEMA 4, 4X, 6, 6P, 7, 9	-4°F to 140°F	Flying leads 18"	1.10	8	1	0000000372602400	372602400
	-	15.7	XP/DIP, Div. 1 & 2 Cl. I, Gr. A-D Cl. II/III, Gr. E-G T3 (160°C) NEMA 4, 4X, 6, 6P, 7, 9	-4°F to 140°F	Flying leads 18"	1.10	8	5	0000000372712060	372712060

* Required connector: type 0570275000000000

Solenoid actuators group 16D

	Power consumption		Protection class	Temperature Ambient/fluid	Electrical connector size	Weight (lb)	Dimensions no.	Circuit diagram no.	Order separately	Coil code
	24 VDC W	120 VAC VA								
	16.9	-	IP 65 (with connector)	-13°F to 140°F fluid: max. 176°F	DIN Form A*		3	1	000000080002400	080002400
	-	17.3	IP 65 (with connector)	-13°F to 140°F fluid: max. 176°F	DIN Form A*		4	6	0000000380312060	380312060
	13.6	-	XP/DIP, Div. 1 & 2 Cl. I, Gr. A-D Cl. II/III, Gr. E-G T3 (160°C) NEMA 4, 4X, 6, 6P, 7, 9	-4°F to 140°F	Flying leads 18"	1.10	8	1	0000000382602400	382602400
	-	15.7	XP/DIP, Div. 1 & 2 Cl. I, Gr. A-D Cl. II/III, Gr. E-G T3 (160°C) NEMA 4, 4X, 6, 6P, 7, 9	-4°F to 140°F	Flying leads 18"	1.10	8	5	0000000382712060	382712060

* Required connector: type 0570275000000000

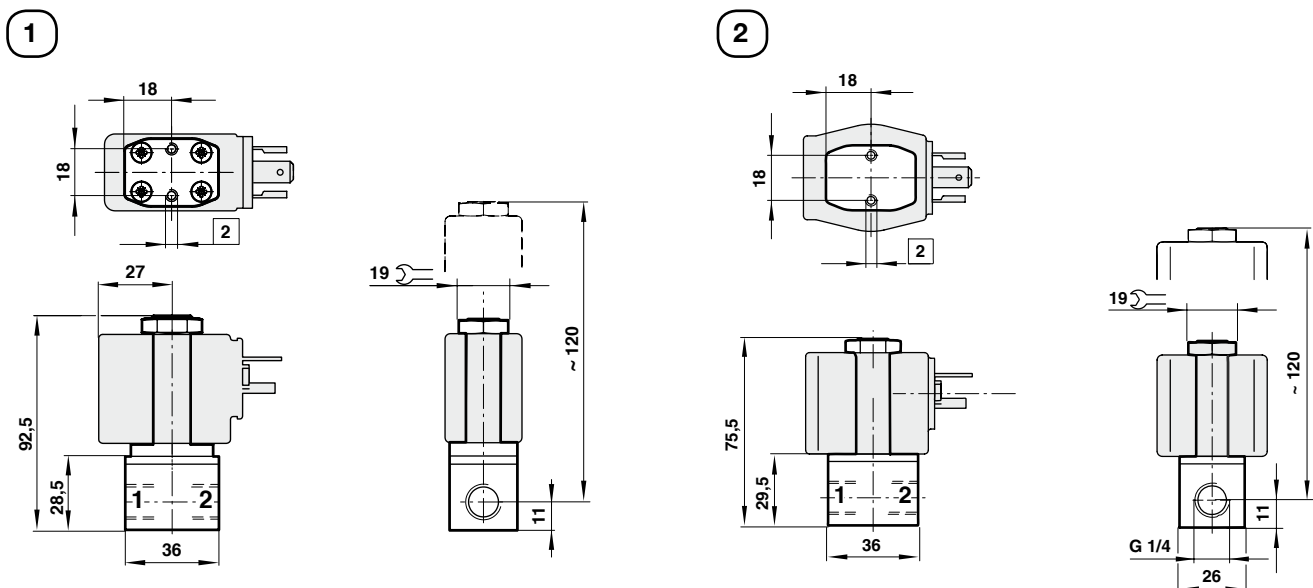
Accessories

Connectors
DIN Form A

0570275000000000

Dimensional drawings for valves

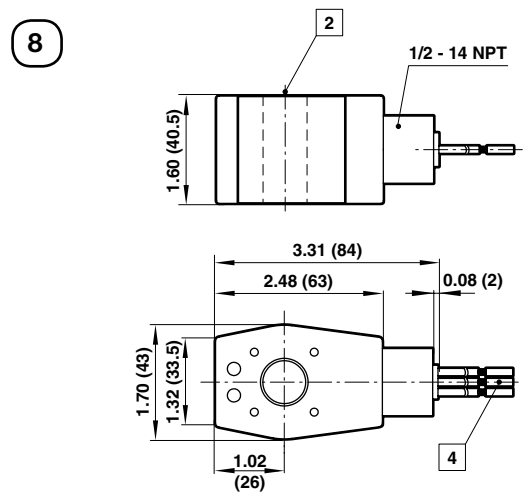
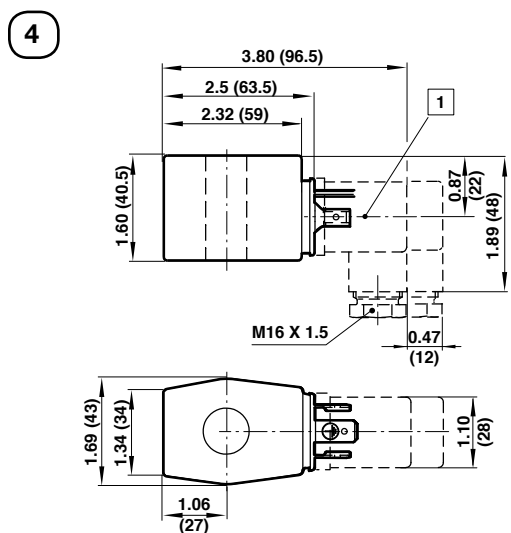
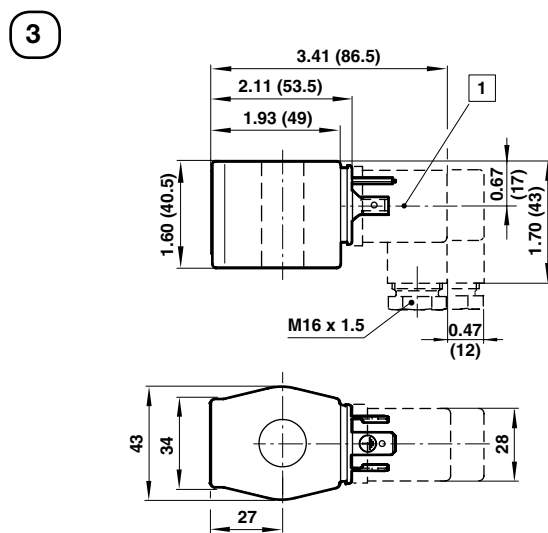
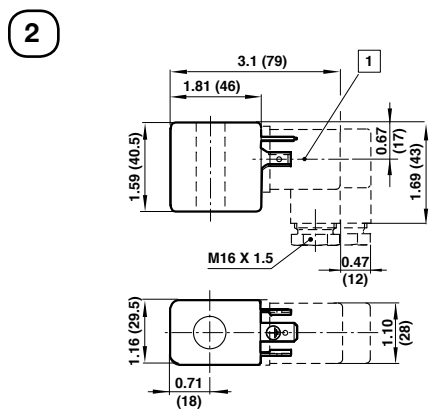
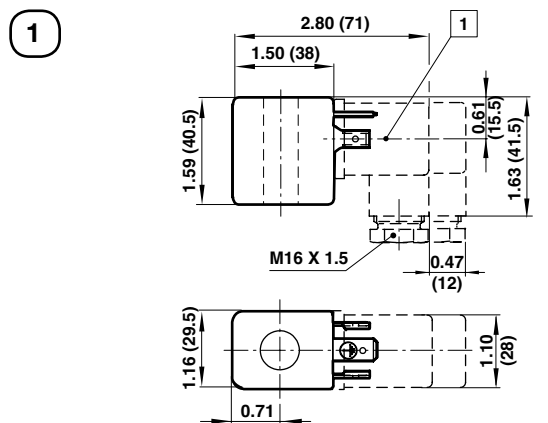
Dimensions in mm



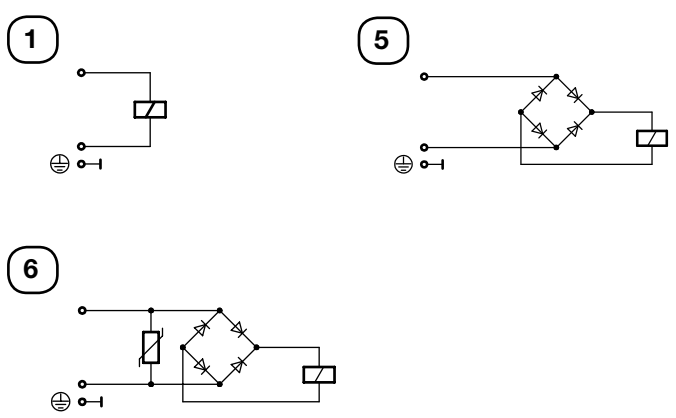
Drawing legend

[2] Mounting holes M4 x .25 deep

Dimensional drawings for solenoid operator



Circuit diagrams



- Drawing legend**
- 1 Connector rotateable 4 x 90°
 - 2 Ø 16mm or 13mm (with spacer tube)
 - 4 Flying leads AWG 18 (18" long)

Dimensions in inches